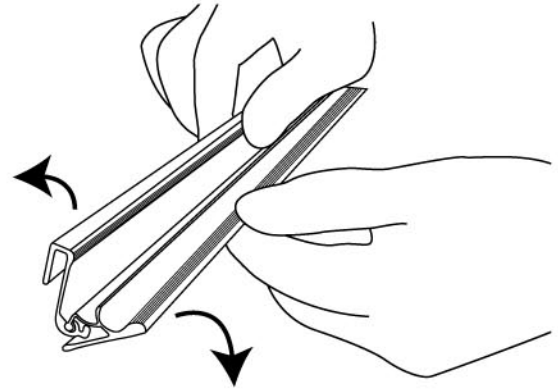
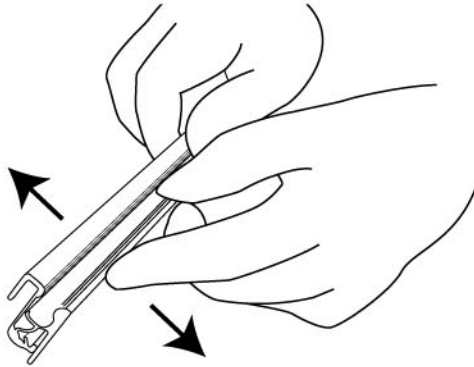


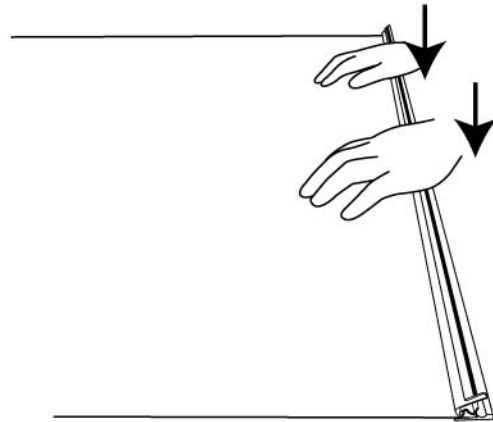
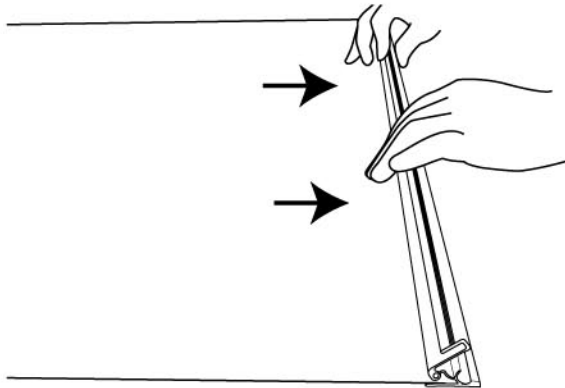
MOUNTING GRAPHIC

With Snap Profile and Snap Roller (P.1)

- 1.** Open the snap profile near the end without any tools.



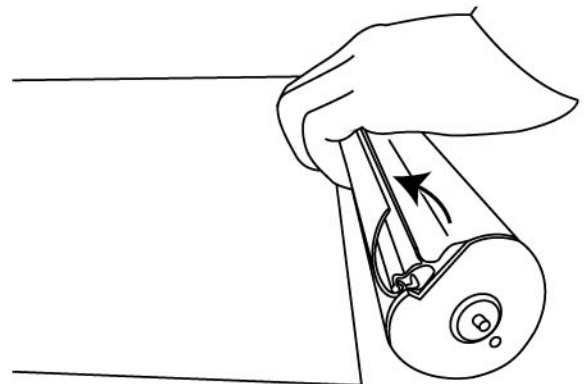
- 2.** Insert the graphic into the profile and press hard.



- 3.** Open the cover by clicking the two buttons at both ends and take out the internal roller.



- 4.** Open the snap roller.

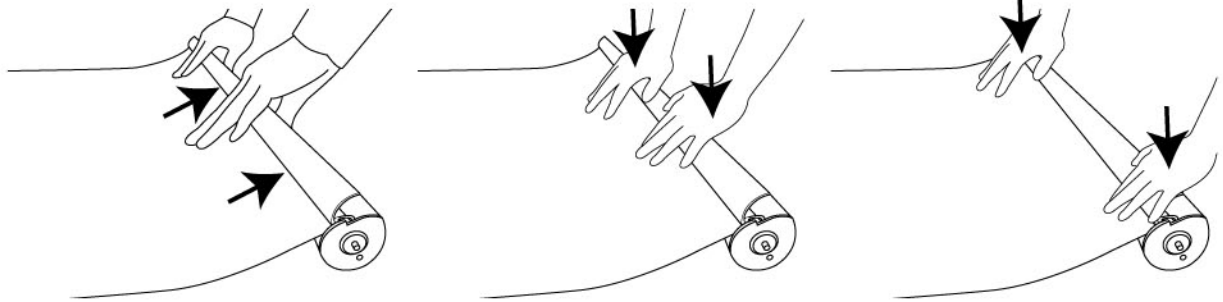


MOUNTING GRAPHIC

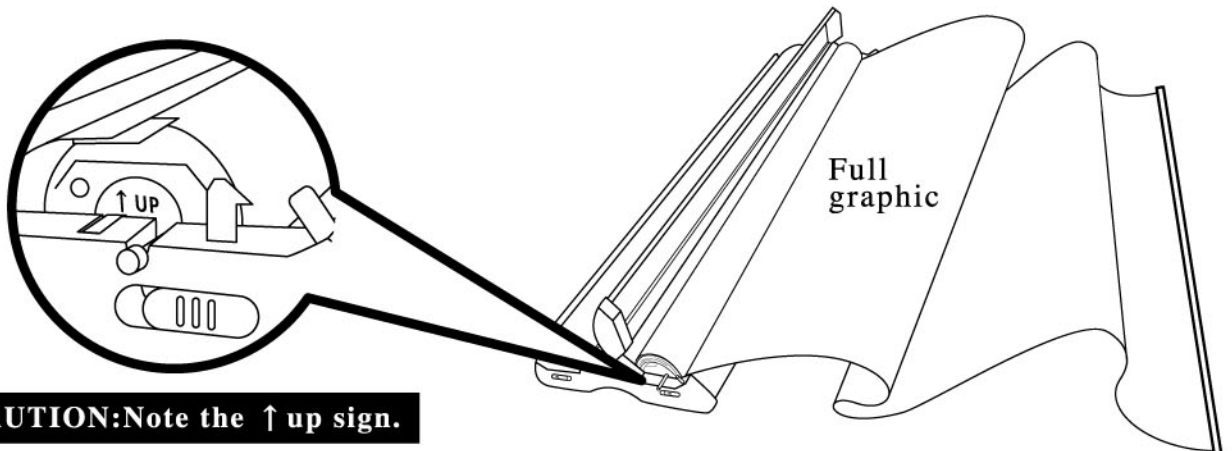
With Snap Profile and Snap Roller (P.2)

5. Insert the graphic into the snap roller and press hard along the entire roller until it's firm.

IMPORTANT!

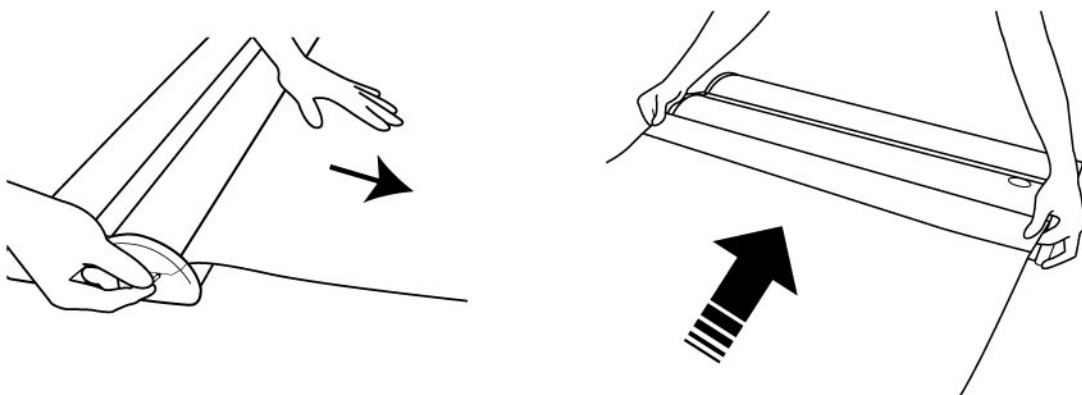


6. Return the roller with graphic into the base. Let the entire graphic lay outside the base. Close the cover.



CAUTION:Note the ↑ up sign.

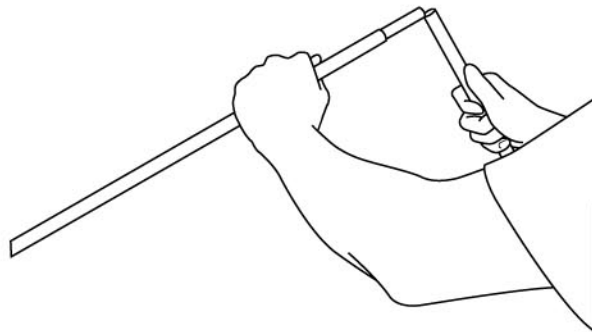
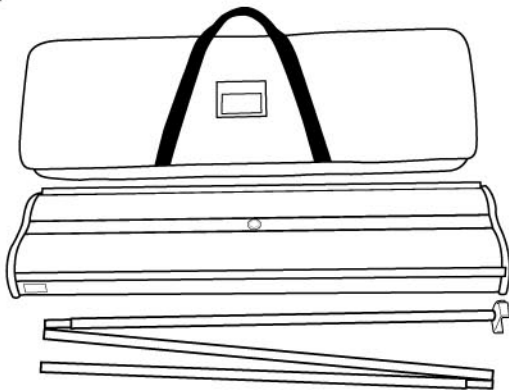
7. Push the graphic forward slightly to activate the spring system. Remove the locking pin and let the graphic retract into the system slowly.



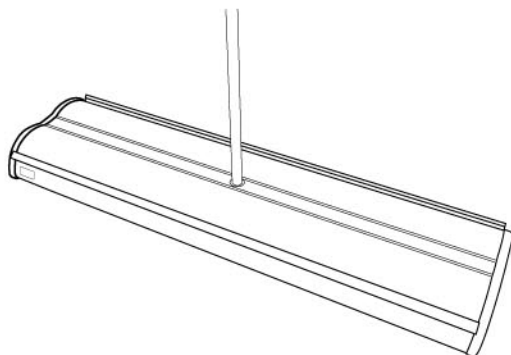
SET UP INSTRUCTION

3 - Parted Pole

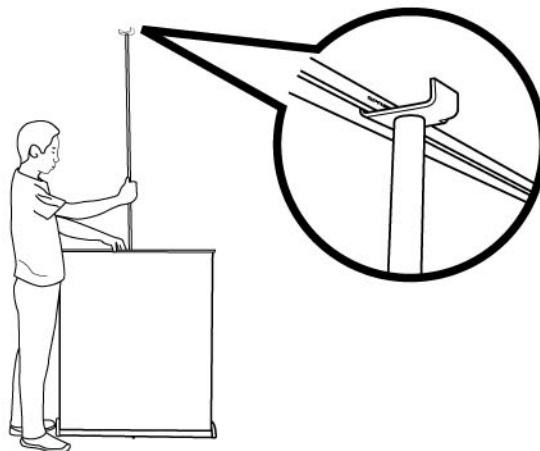
1. Unfold the 3-parted pole.



2. Insert the pole onto the cup of the base.



3. Pull up one graphic and position the end tip of the pole into the profile.



4. Pull up the second graphic and position the end tip of the pole into the profile.

