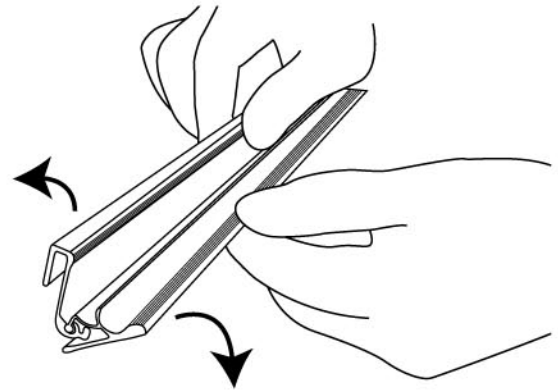
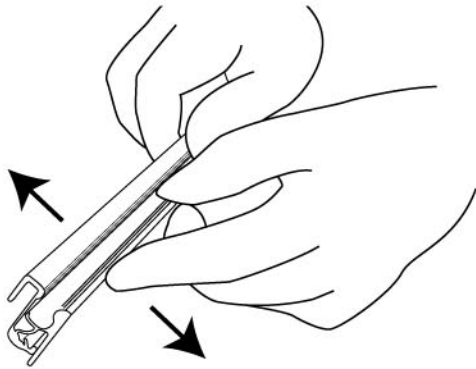


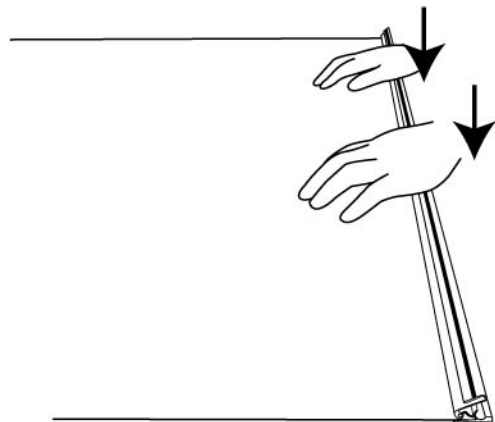
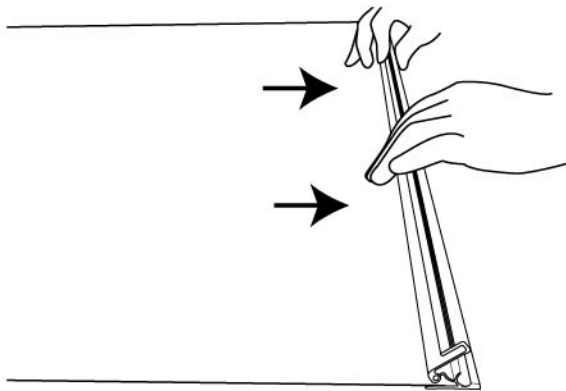
# **MOUNTING GRAPHIC**

## **With Snap Profile and Snap Roller (P.1)**

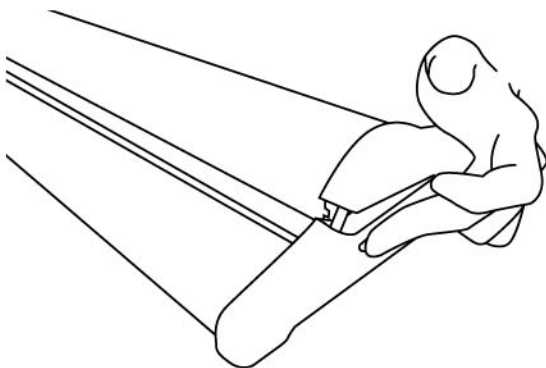
**1.** Open the snap profile near the end without any tools.



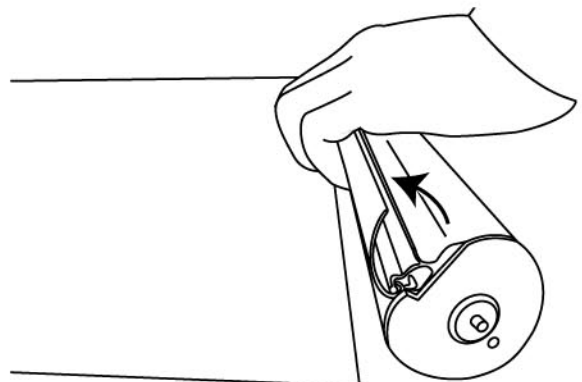
**2.** Insert the graphic into the profile and press hard.



**3.** Open the cover by clicking at the two buttons at both ends and take out the internal roller.



**4.** Open the snap roller.

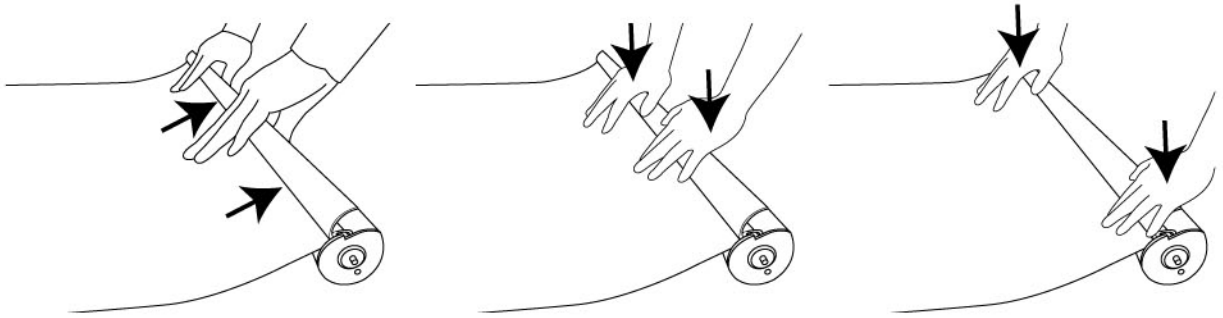


# MOUNTING GRAPHIC

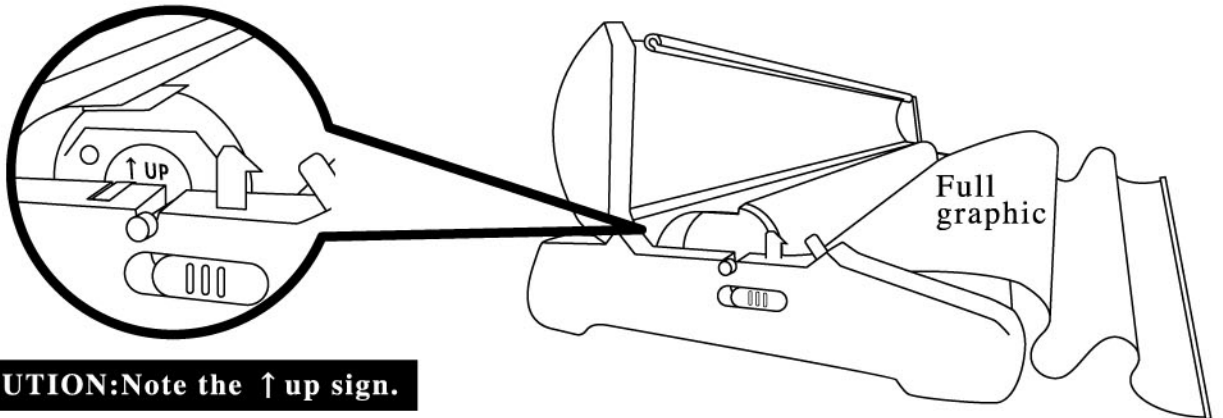
## With Snap Profile and Snap Roller (P.2)

5. Insert the graphic into the snap roller and press hard along the entire roller until it's firm.

**IMPORTANT!**

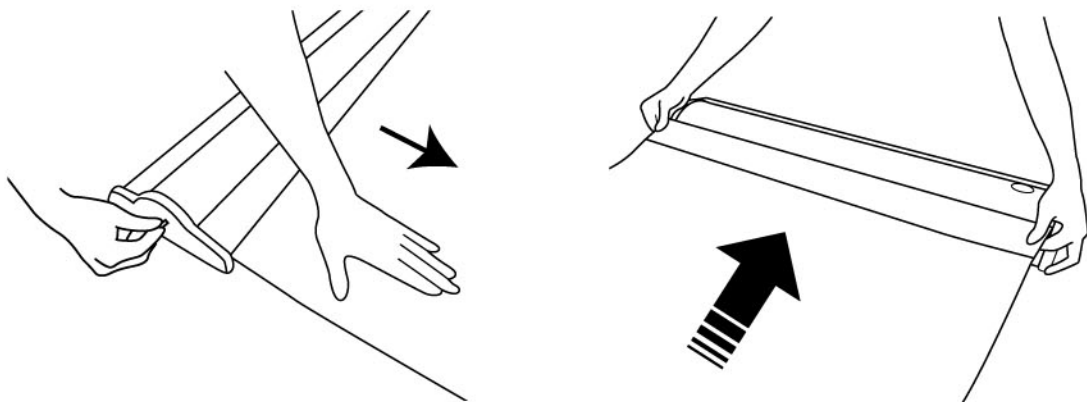


6. Return the roller with graphic into the base. Let the entire graphic lay outside the base. Close the cover.



**CAUTION:**Note the ↑ up sign.

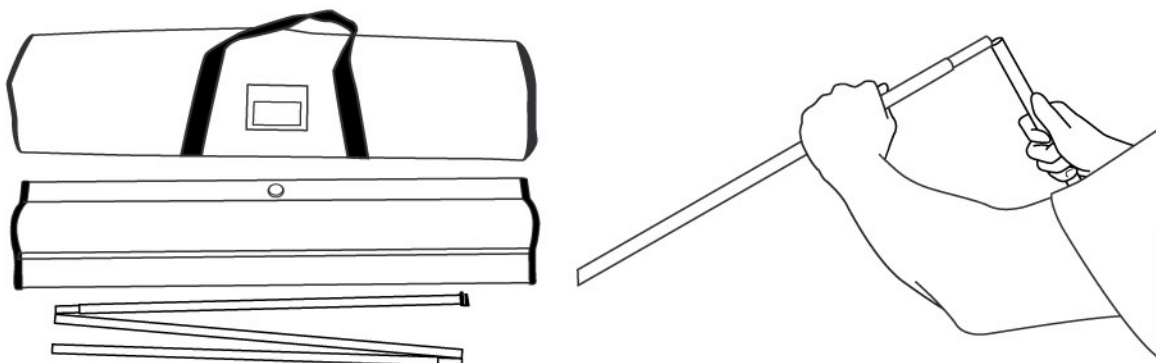
7. Push the graphic forward slightly to activate the spring system. Remove the locking pin and let the graphic retract into the system slowly.



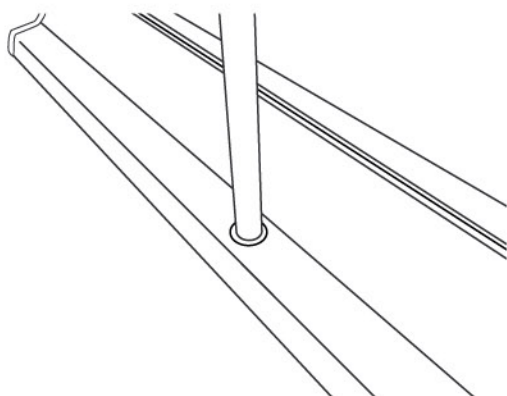
# SET UP INSTRUCTION

## 3 - Parted Pole

1. Unfold the 3-parted pole.



2. Insert the pole onto the cup of the base.



3. Pull up the graphic and position the plastic end tip of the pole into the profile.

