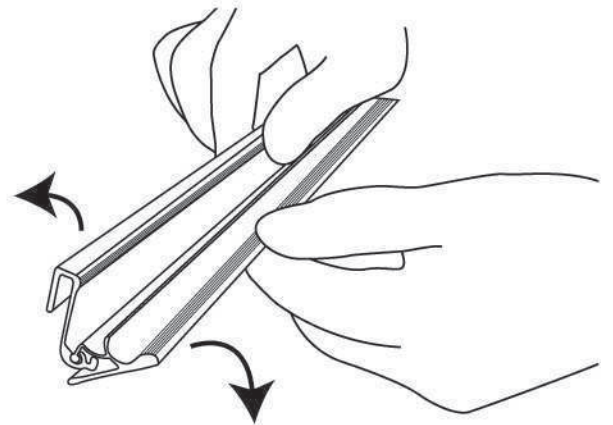
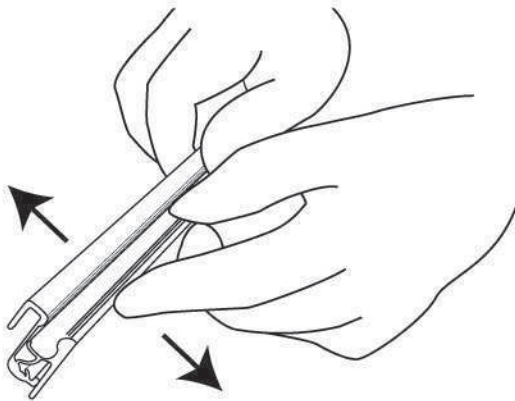


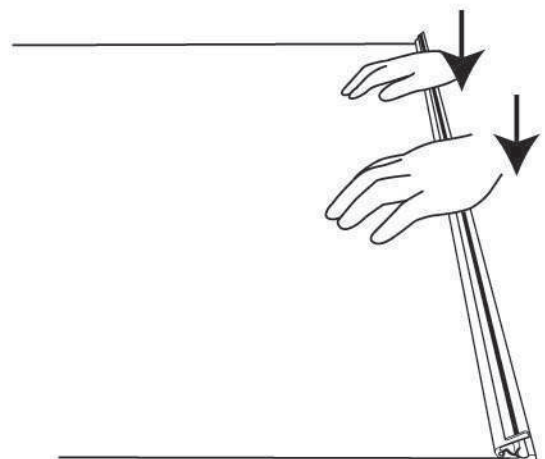
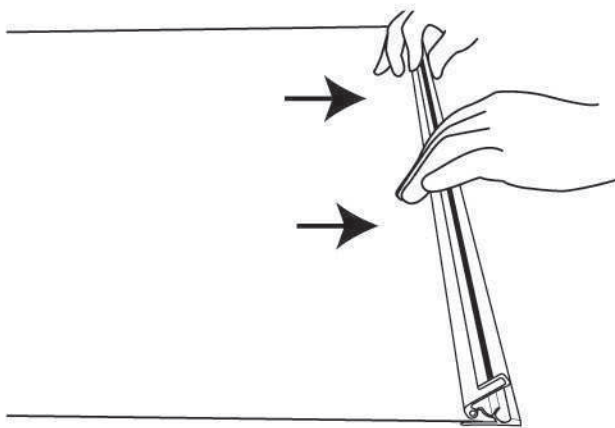
MOUNTING GRAPHIC

Snap Profile

1. Open the snap profile near the end without any tools.



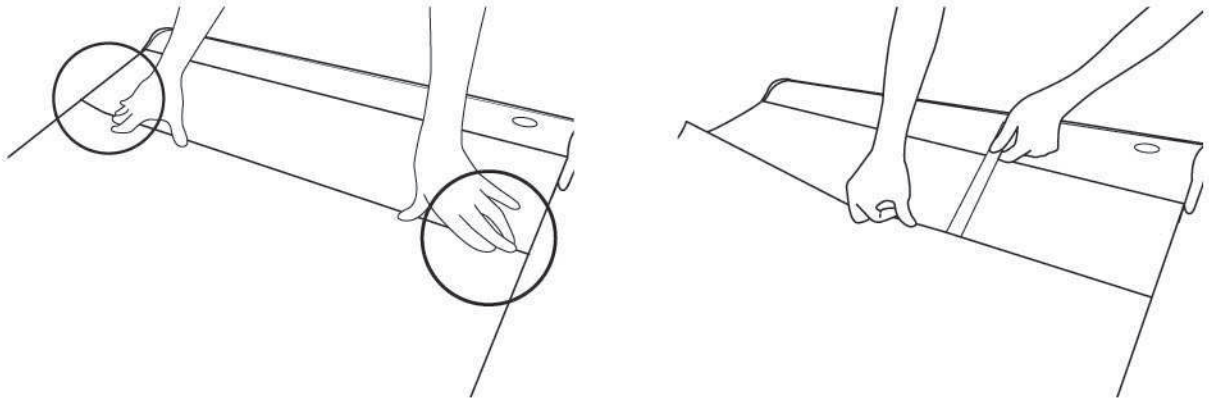
2. Insert the graphic into the profile and press hard.



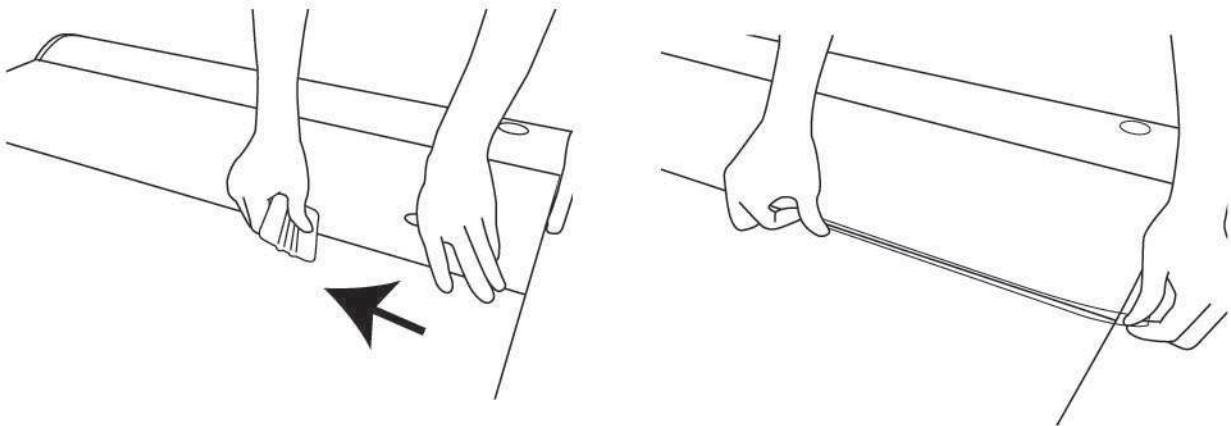
MOUNTING GRAPHIC

Part 2 - Attach Graphic Onto Base

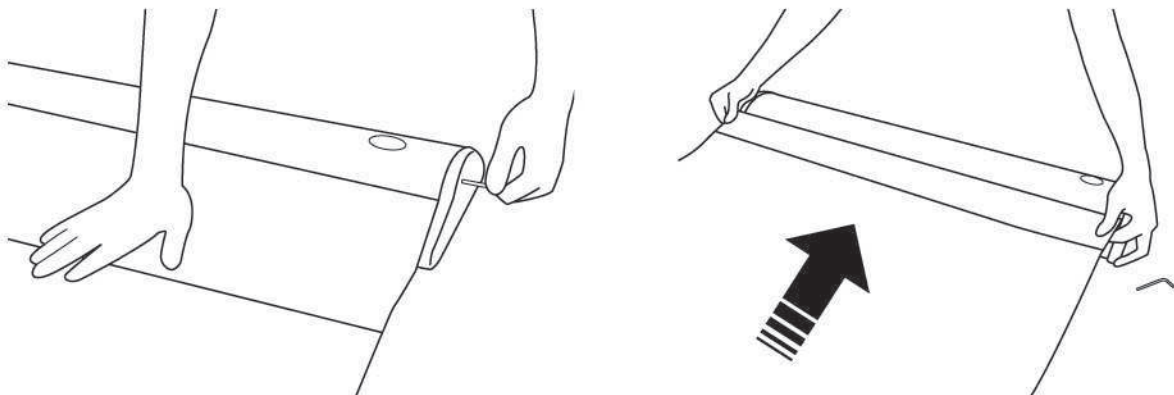
1 Attach the bottom of the graphic by aligning it with the adhesive tape on the white PVC.



Press the graphic firmly and apply extra tape for reinforcement.

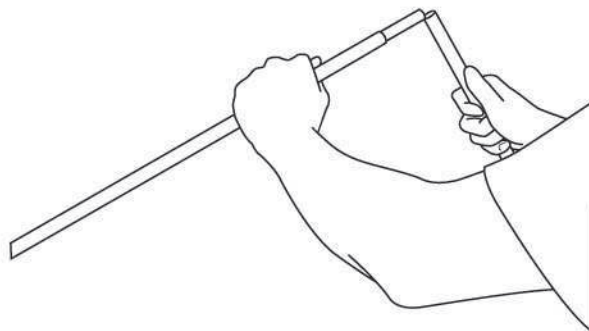
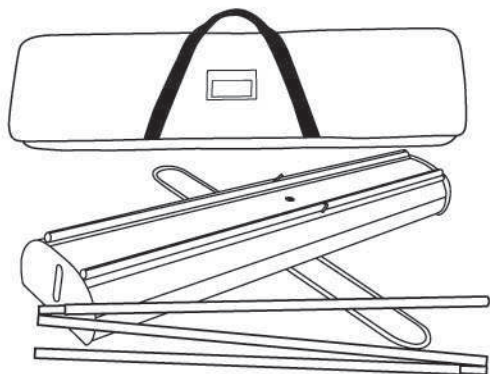


Hold the graphic while removing the key. Let the graphic retract into the base slowly.

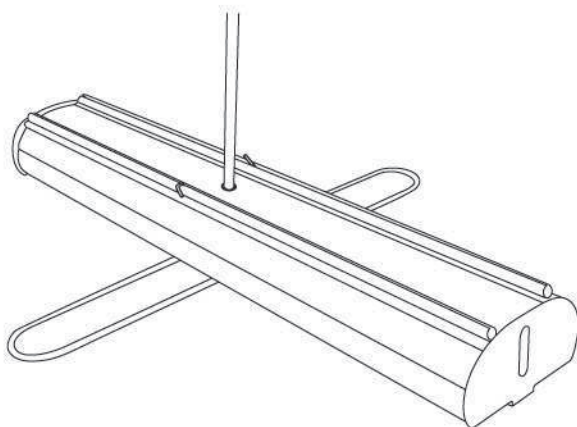


SET UP INSTRUCTION

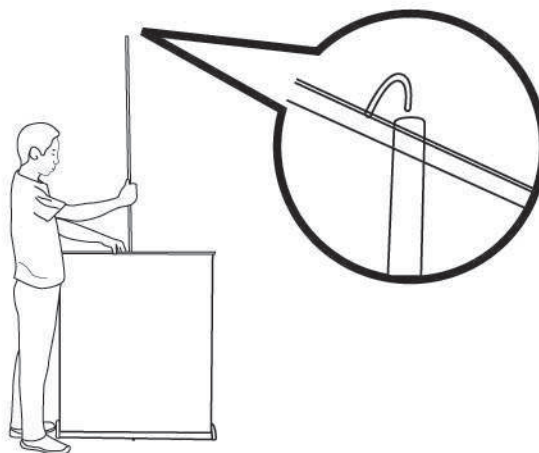
1. Unfold the 3 Parted Pole



2. Insert the pole into the cup of the base.



3. Pull up one graphic and insert the hook on the profile into the top of the pole.



4. Pull up the second graphic and insert the hook on the profile into the top of the pole.

