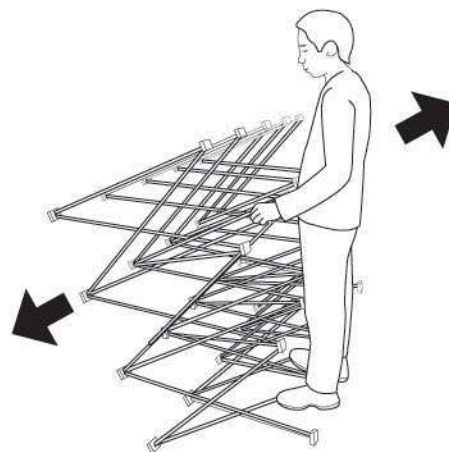
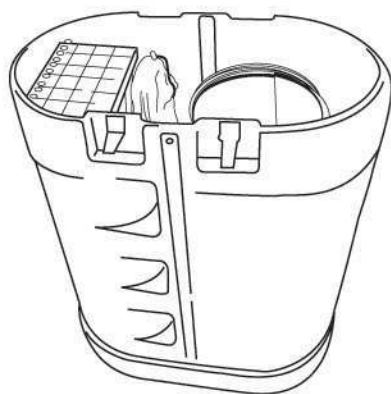
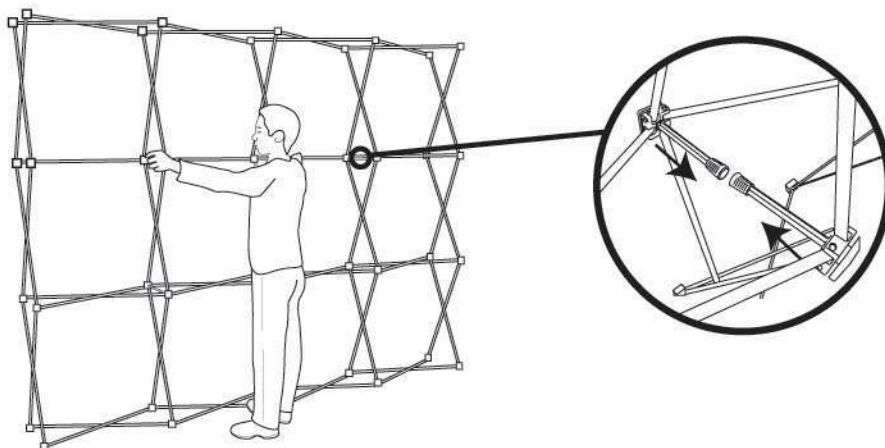


SET UP INSTRUCTION

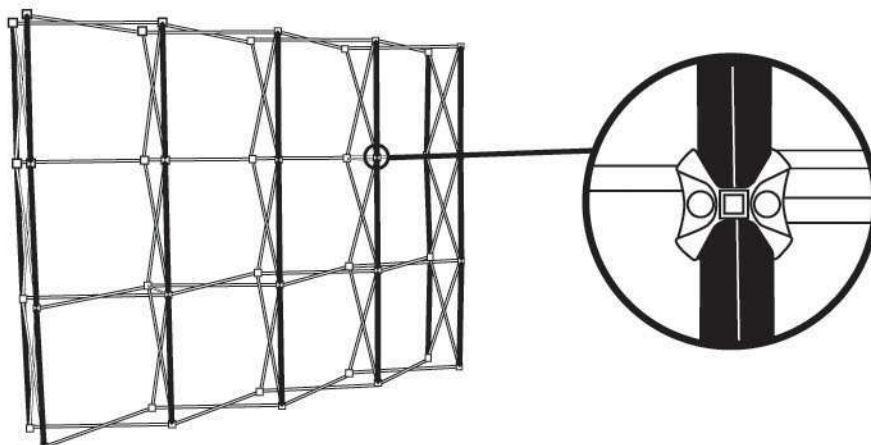
1. Unpack the frame and accessories from the transit case, the flood lights are inside the foam cut-outs in the case lid. Then, simply expand the frame at the location needed.



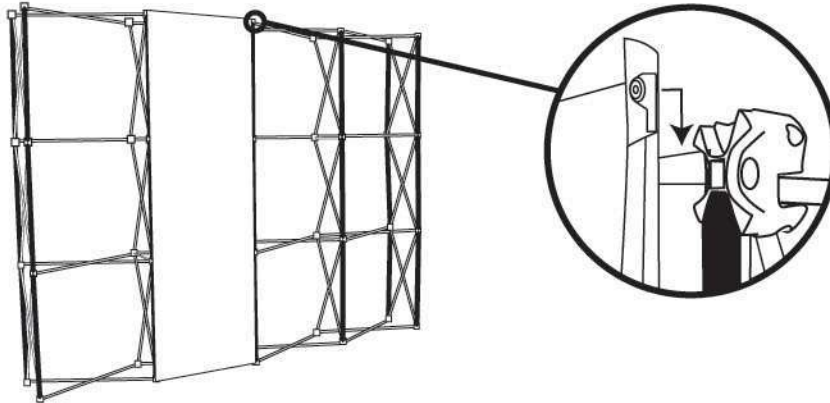
2. Once the frame is fully expanded, the magnetic arms will gently lock into place. If the magnetic arms are not locked together, then, the frame has not fully expanded yet.



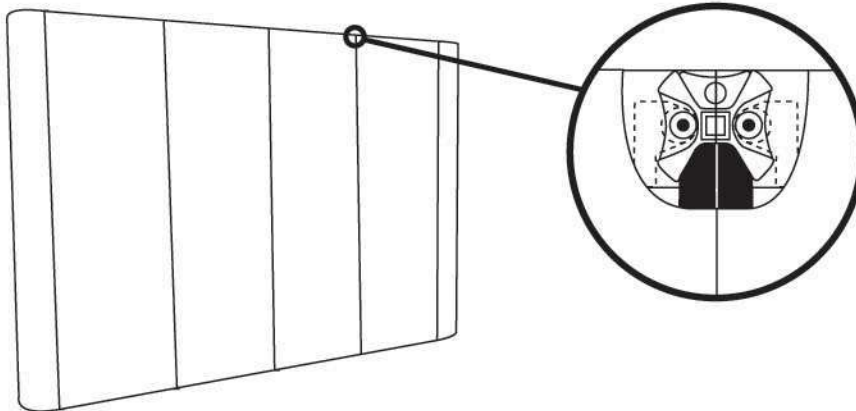
3. Place the magnetic channel bars onto hubs.



4. Attach the graphic hanger onto the top hub and adjust the position with the flexibility from the floating magnet.



5. The graphic is secured with the magnetic hangers and channel bars.



6. Gently slide the bottom of flood lights onto the frame top joints. The light will secure itself at the joint of scissors.

